

sofamel

Product Technical Specifications

Mod. LBE-ID

Bolt-fastened tinplated
mechanical clamp

Product features

LBE-ID are made of aluminum alloy forgings and stainless-steel screws. The compression of the conductors is by mechanical screw tightening. Its function is to make a connection or bypass of aluminum conductors of different sections.

This clamp can be used for connecting aluminum main to copper branch cable or aluminum main to aluminum branch with cross-section rate.

Minimum thickness of tin: 20 μ .

Certificates

Manufactured according to the dimensional characteristics described in **UNE 211024** and tested according to **UNE-EN 60068-2-11** Environmental tests Part 2 Salt spray.

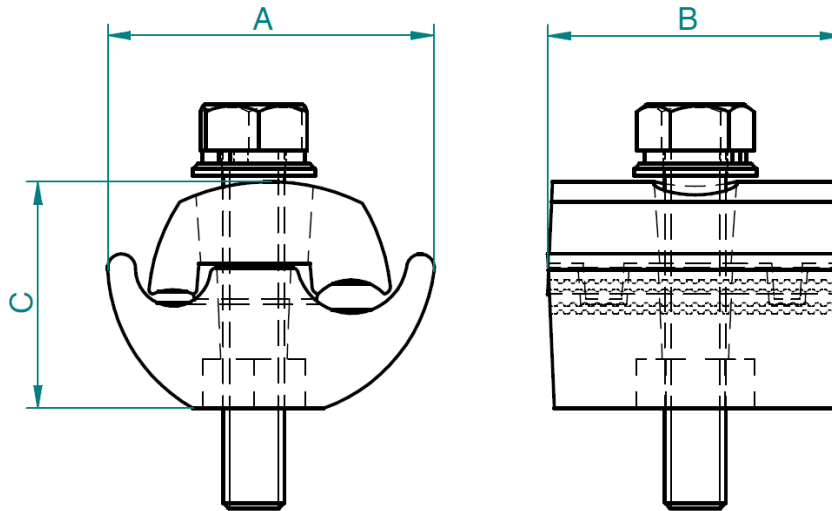




Model LBE-ID

Bolt-fastened tinplated mechanical clamp

Section and dimensions



155001	LBE-2-ID	49	35	32
155002	LBE-3-ID	55	44	38
155003	LBE-4-ID	46	32	31
Cód.	Ref.	A	B	C