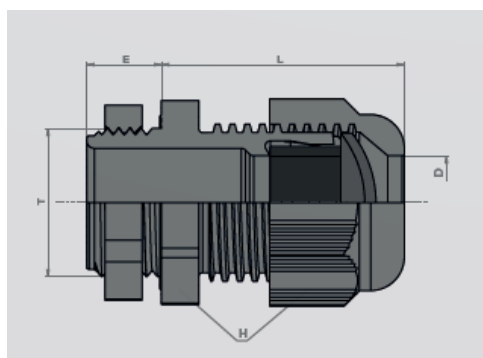


**EMISSOR: COMPROSE LDA** (distribuidor oficial SIB)

- Bucins sem porcas;
- Fabricados em poliamida V2;
- Certificação: EN 60423;
- Grau de Proteção: IP68;
- Resistente UL;
- Temperatura: -40°C até 100°C



Referência	Rosca	Cabo Min - Max	H-E-L	Cor	Lote
<b>F7021200</b>	M12	2,5mm-6,5mm	15,0-8,0-24,0	RAL7035	50 UND.
<b>F7021600</b>	M16	3,5mm-10,0mm	22,0-10,0-29,0	RAL7035	50 UND.
<b>F7022000</b>	M20	7,0mm-14mm	27,0-10,0-33,0	RAL7035	50 UND.
<b>F7022500</b>	M25	9,0mm-18,0mm	33,0-10,0-39,0	RAL7035	25UND.
<b>F7023200</b>	M32	14,0mm-25,0mm	42,0-10,0,42,0	RAL7035	20 UND.
<b>F7024000</b>	M40	18,0mm-32,0mm	53,0-10,0-52,0	RAL7035	10 UND.
<b>F7025000</b>	M50	24,0mm-38,5mm	60,0-12,0-55,0	RAL7035	5 UND.
<b>F7026300</b>	M63	35,0mm-48,0mm	70,0-12,0-56,0	RAL7035	5 UND.
<b>F7021209</b>	M12	2,5mm-6,5mm	15,0-8,0-24,0	RAL7001	50 UND.
<b>F7021609</b>	M16	3,5mm-10,0mm	22,0-10,0-29,0	RAL7001	50 UND.
<b>F7022009</b>	M20	7,0mm-14mm	27,0-10,0-33,0	RAL7001	50 UND.

<b>F7022509</b>	M25	9,0mm-18,0mm	33,0-10,0-39,0	RAL7001	25UND.
<b>F7023209</b>	M32	14,0mm-25,0mm	42,0-10,0,42,0	RAL7001	20 UND.
<b>F7024009</b>	M40	18,0mm-32,0mm	53,0-10,0-52,0	RAL7001	10 UND.
<b>F7025009</b>	M50	24,0mm-38,5mm	60,0-12,0-55,0	RAL7001	5 UND.
<b>F7026309</b>	M63	35,0mm-48,0mm	70,0-12,0-56,0	RAL7001	5 UND.
<b>F8021200</b>	M12	2,5mm-6,5mm	15,0-8,0-24,0	RAL9005	50 UND.
<b>F8021600</b>	M16	3,5mm-10,0mm	22,0-10,0-29,0	RAL9005	50 UND.
<b>F8022000</b>	M20	7,0mm-14mm	27,0-10,0-33,0	RAL9005	50 UND.
<b>F8022500</b>	M25	9,0mm-18,0mm	33,0-10,0-39,0	RAL9005	25UND.
<b>F8023200</b>	M32	14,0mm-25,0mm	42,0-10,0,42,0	RAL9005	20 UND.
<b>F8024000</b>	M40	18,0mm-32,0mm	53,0-10,0-52,0	RAL9005	10 UND.
<b>F8025000</b>	M50	24,0mm-38,5mm	60,0-12,0-55,0	RAL9005	5 UND.
<b>F8026300</b>	M63	35,0mm-48,0mm	70,0-12,0-56,0	RAL9005	5 UND.