

sofamel

Product Technical Specifications

Mod. TDC/S

Bimetallic cable lug

Functionality

Our bimetallic cable lugs are utilized for connecting electrical circuits across a diverse range of sections, facilitating connections from aluminum cables to copper plates. TDC/S must be crimped by stepped **DEEP PUNCHING**.

Product Features

Crafted through the casting process, our bimetallic cable lugs are composed of **high conductivity aluminum**, boasting a purity of 99.5% or higher. They feature a tinned surface finish, 15 μ thick, enhancing electrical contact while preventing oxidation. To further safeguard against oxidation, neutral grease is integrated into the tube. Specifically engineered for subterranean cable connections, these lugs ensure reliable performance in underground applications.

Suitable for:

FLAT BARS: COPPER AND ALUMINUM

CABLE: ALUMINUM

These lugs are ideal for both indoor and outdoor installations, given that any potential water ingress, such as the gap between the terminal and the cable after crimping, is effectively sealed using adhesive or heat-shrinkable tape. Sofamel lugs bear the distinctive Sofamel logo along with markings indicating the conductor cross-section. Available in a range of cross-sections from 16 to 400 mm², these terminals offer versatility and reliability for various applications.

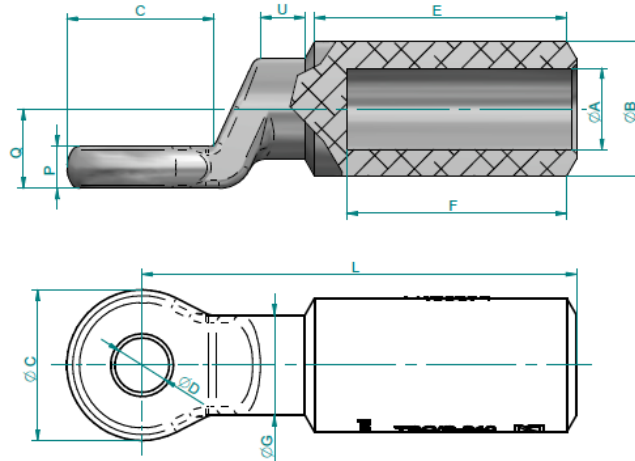




Mod. TDC/S

Bimetallic cable lug

Dimensions



Cod.	Ref.	Ø A	Ø B	Ø G MAX	C	Ø D	E	F min	L	P	Q	LT	L1	H	R	U min.					
111085	TDC/S-16/10 ⁽¹⁾	5,5	16,0	12	26,0	10,7	45,5	40,0	75,0	7	13,0	88,0	47,1	5	13,0	4,5					
111090	TDC/S-16/12					12,9															
111099	TDC/S-25/10 ⁽¹⁾	6,5				10,7															
111100	TDC/S-25/12					12,9															
111110	TDC/S-35/12 ⁽¹⁾	8,0				12,9															
111118	TDC/S-50/8*	9,0	20,0	14,8	26,0	9,0	44,5	40,0	75,0	7	13,0	88,0	48,0	3	13,0	5,0					
111119	TDC/S-50/10*					10,7															
111120	TDC/S-50/12 ^{*(1)}	12,9																			
111130	TDC/S-70/12 ⁽¹⁾	11,0				10,7															
111139	TDC/S-95/10*	12,5				12,9															
111140	TDC/S-95/12 ^{*(1)}					9,0															
111200	TDC/A-30/12	7,6				50,1											45,0	80,0	93,0	53,1	
111205	TDC/A-54,6/12	10,0				12,9											50,1	45,0	80,0	93,0	53,1
111207	TDC/A-56/8	10,0																			
111210	TDC/A-56/12	10,0																			
111220	TDC/A-78/12	12,0																			
111225	TDC/A-80/12	12,5	12,9																		
111150	TDC/S-120/12 ⁽¹⁾	13,7	25,0	18,0	30,0	12,9	60,8	55,5	98,0	9,0	15,5	113,0	65,0	3	15,0	6,4					
111159	TDC/S-150/10*	15,5				10,7															
111160	TDC/S-150/12 ^{*(1)}					12,9															
111230	TDC/A-110/12	14,5				66,0											60,0	103,0	118,0	70,0	
111235	TDC/A-145/12	16,5				12,9															
111170	TDC/S-185/12 ⁽¹⁾	17,0	32,0	23,8	36,0	12,9	59,7	55,5	104,0	10,0	19,0	122,0	65,0	3	18,0	6,9					
111179	TDC/S-240/10*	19,5				10,7															
111180	TDC/S-240/12 ^{*(1)}					12,9															
111240	TDC/A-180/12	18,3				66,0											60,0	109,0	127,0	70,7	
111184	TDC/S-300/10	23,3	40,0	28,0	40,0	10,7	94,0	89,0	145,0	12,5	23,0	165,0	100,0	3	20,0	8,8					
111185	TDC/S-300/12					12,9															
111186	TDC/S-300/16 ⁽¹⁾	16,7																			
111189	TDC/S-400/10	26,0				10,7															
111190	TDC/S-400/12					12,9															
111191	TDC/S-400/16 ⁽¹⁾	16,7	16,7																		

Datos sujetos a cambios
22 de marzo de 2024

© 2017 Sofamel SLU
Todos los derechos reservados.

Versión: R2-7.2 COM01

Las especificaciones están sujetas a cambios sin previo aviso.



Thomas Alva Edison, 16-17 - Pol. Industrial Plans d'Arau - 08787 La Pobla de Claramunt (Barcelona) - Spain
Tel. +34 93 808 79 80 - Info@sofamel.es
www.sofamel.com



Mod. TDC/S

Bimetallic cable lug

Electrical Features

CLASS A cable lug:

Connectors intended for the distribution of electricity or industrial networks, where they may be subjected to short circuits of relatively high intensity and duration. As a result, they adapt to most applications.

Raw Material Features

ALUMINUM

Aluminum type: **High purity aluminum (99.5% or higher)**.

Alloy: **1050**.

Surface treatment: **tin bath 15 μ thick**.

Certified

Conforms to the following standards:

UNE 211024-2: Connection accessories. Connection elements for low and medium voltage distribution networks up to 18/30 (36) kV. Part 2: Compression fittings.

UNE-EN IEC 61238-1-3: Compression and mechanical tightening connectors for power cables. Part 1-3: test methods and requirements for compression and mechanical clamping connectors for power cables with rated voltages above 1kV up to 36 kV tested on non-insulated conductors.

They are AENOR certified (terminals with sections **50, 95, 150** and **240**).

Marking

