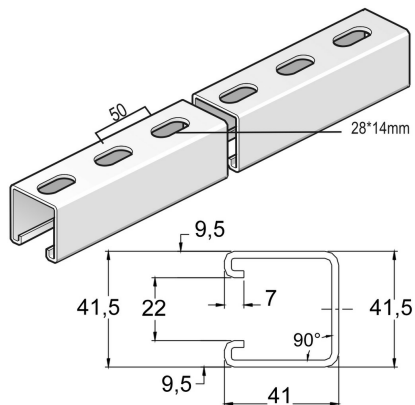


MP41.41

Assembly profile



Standard finish

Pre-galvanised

Optional finish

Coating

HD	Reference	↑ mm	← mm	≡ mm	↔ mm	kg /m		Stock	Unit
-	MP41.41.250.6S	41	41		6000	2,53	6	v	M
-	MP41.41.250.3S	41	41		3000	2,53	3	v	M