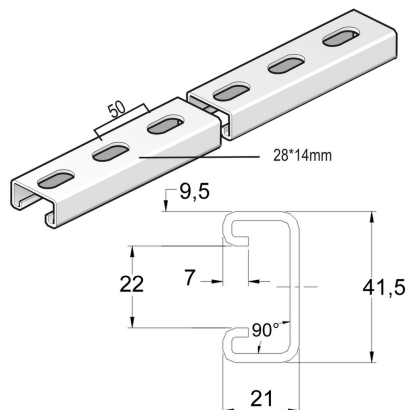


MP41.21

Assembly profile



Standard finish

Pre-galvanised

Optional finish

Coating

HD	Reference	↑ mm	↔ mm	≡ mm	↔ mm	kg /m		Stock	Unit
-	MP41.21.150.3S	41	21		3000	1,22	3	v	M
-	MP41.21.250.3S	41	21		3000	1,75	3	v	M
-	MP41.21.250.6S	41	21		6000	1,75	6	v	M