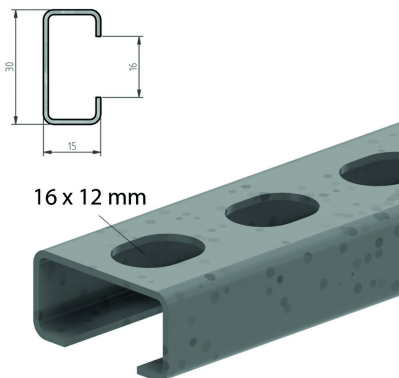


# DR15.30

## Supporting profile



Max. load: 100 daN	
Standard finish	Pre-galvanised
Optional finish	Hot-dip galvanised
Optional finish PE	Coating

HD Reference	↕ mm	↔ mm	→  ← mm	↔ mm	kg/stk	📦	Stock	Unit
HD <b>DR100</b>	15	30		100	0,060	10	X	STK
HD <b>DR150</b>	15	30		150	0,080	10	X	STK
HD <b>DR200</b>	15	30		200	0,110	10	X	STK
HD <b>DR250</b>	15	30		250	0,130	10	X	STK
HD <b>DR300</b>	15	30		300	0,160	10	X	STK
HD <b>DR350</b>	15	30		350	0,190	10	X	STK
HD <b>DR15.30.2000</b>	15	30		2000	0,600	40		M

To be fixed with two threaded rods TIM8 + nut M8 + CRO8.  
Always order the width of the cable tray + 50 mm.